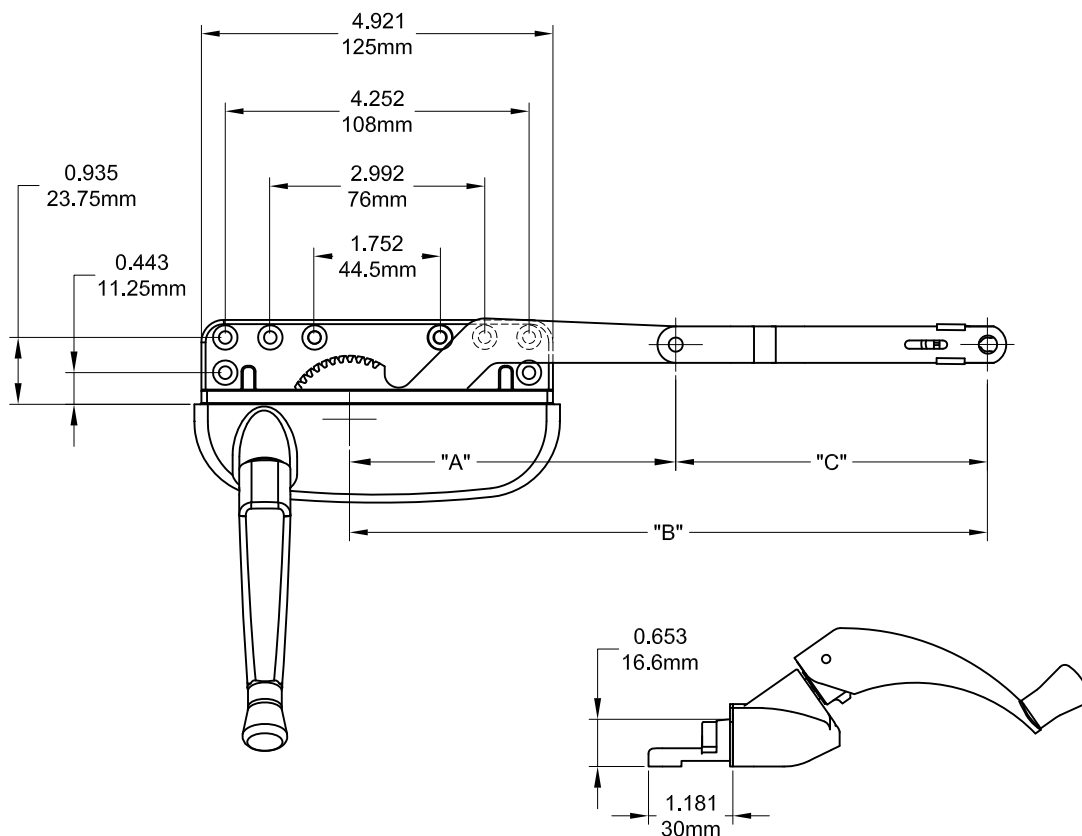
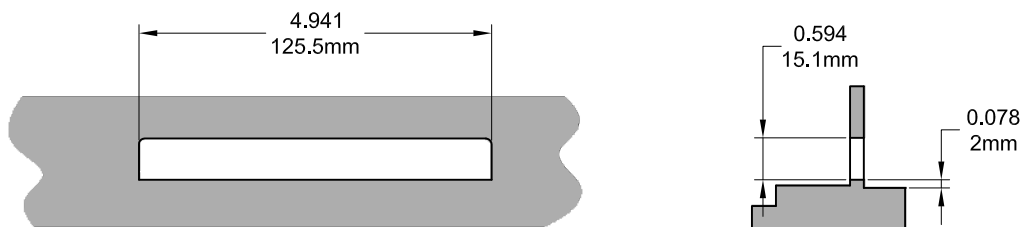
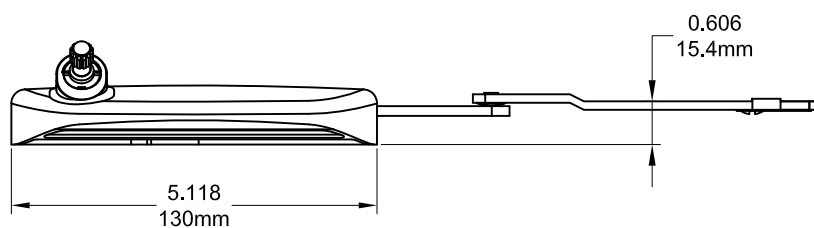


# Grande Case Dyad Operator (Sill Mount)

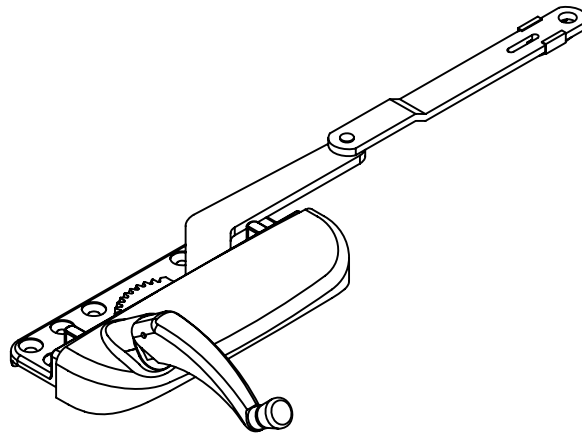


Left Hand Shown

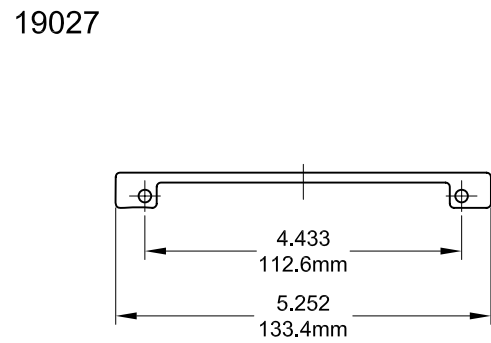
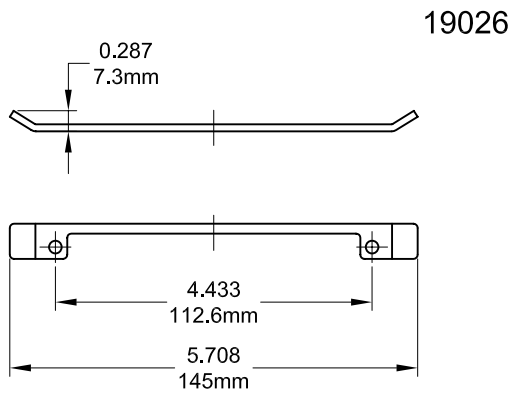


Profile Cut Out

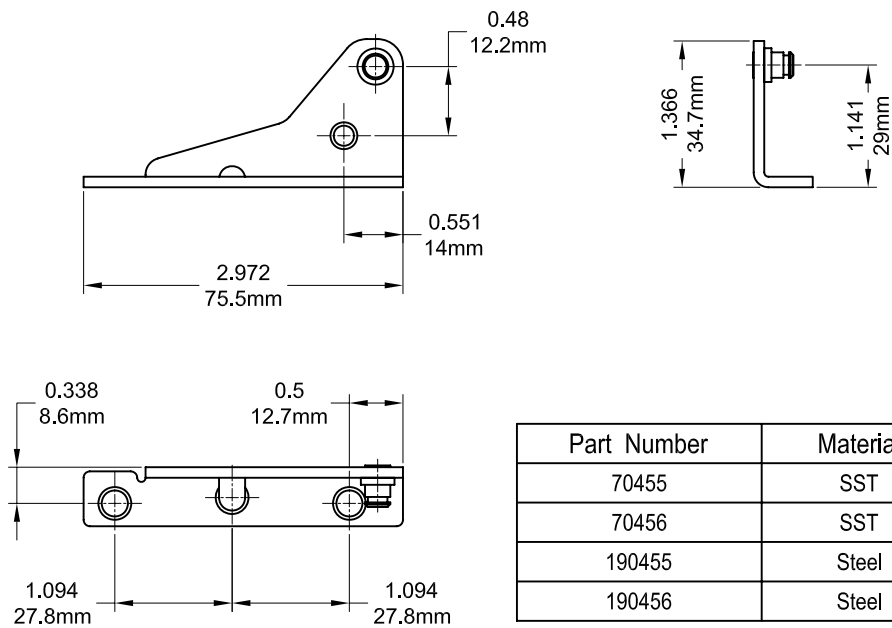
Product Name	Part Number	" A "	" B "	" C "
Grande Dyad Operator , RH	132626-RQS	4.75 "	9.12 "	4.37 "
Grande Dyad Operator , LH	132626-LQS	4.75 "	9.12 "	4.37 "
Grande Dyad Operator, Short Arm , RH	132626S-RQS	4.5 "	8.87 "	4.37 "
Grande Dyad Operator, Short Arm , LH	132626S-LQS	4.5 "	8.87 "	4.37 "



## Back Plate



## Stud Bracket (Right Hand Shown)



Part Number	Material	Hand
70455	SST	RH
70456	SST	LH
190455	Steel	RH
190456	Steel	LH